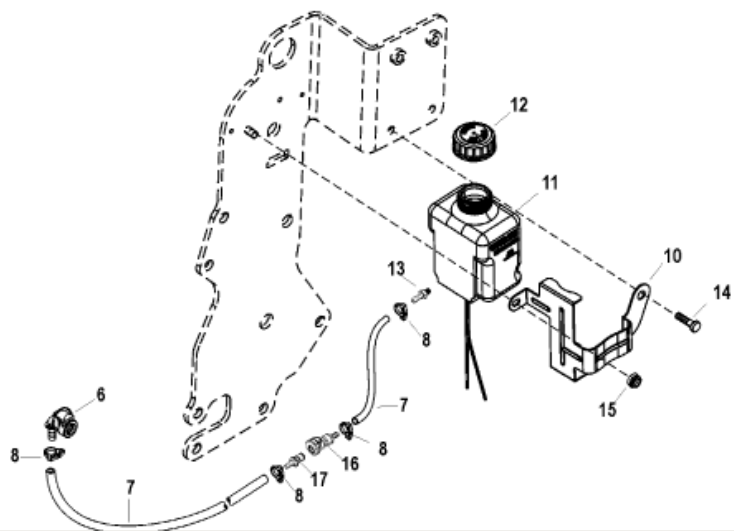
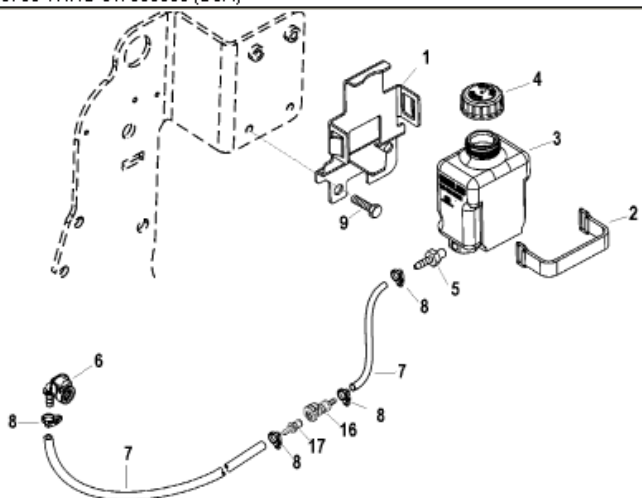


| Parts List | | | | | | |
|------------|-------|-----------|------------------------------------|-----|--------------------|----------|
| Ref | Class | Part | Description | Qty | Comment | Footnote |
| 1 | | 860065A | BRACKET KIT, Lube Monitor Rese | 1 | (Closed Cooling) | |
| 2 | | 808023T | STRAP, Reservoir Retainer | 1 | | |
| 3 | | 806193A36 | RESERVOIR, Lube Monitor | 1 | (Closed Cooling) | |
| 4 | 36 | 806727 | CAP, Lube Reservoir | 1 | | |
| 5 | 22 | 808624 | CONNECTOR, Lube Reservoir | 1 | | |
| 6 | 22 | 861163 | QUICK CONNECTOR, (90 Degree) | 1 | | |
| 7 | 32 | 19409 | HOSE, (54.00 Inches Bulk) (.25 Inc | 1 | | |
| 8 | 54 | 41582 | CLAMP, Nylon, Hose | AF | | |
| 9 | 10 | 98261 | SCREW, (.375-16 x .750) | 2 | | |
| 10 | | 865175T | BRACKET, Lube Monitor Reservoir | 1 | (Standard Cooling) | |
| 11 | | 806193A37 | RESERVOIR, Lube Monitor | 1 | (Standard Cooling) | |
| 12 | 36 | 806727 | CAP, Lube Reservoir | 1 | | |
| 13 | 22 | 85439001 | CONNECTOR, Male, Lube Reservoir | 1 | | |
| 14 | 10 | 828552 | SCREW, (.375-16 x .500) | 1 | | |
| 15 | 11 | 826709 | NUT, (.250-20) | 1 | | |
| 16 | 22 | 865190 | CONNECTOR, Female | 1 | | |
| 17 | 22 | 865191 | FITTING, Male | 1 | | |



9848